



DG834GV

Integrated ADSL2+ Modem and Wireless Router with Voice

An "All-In-One" Integrated Voice Gateway for Your Networking Solution

- *Help is there when you need it! NETGEAR provides 24x7 technical support* in English, with selected local language support during office hours.*

One Integrated Device is All You Need! Instant Broadband Access with Internet Sharing and Voice-over-IP (VoIP)

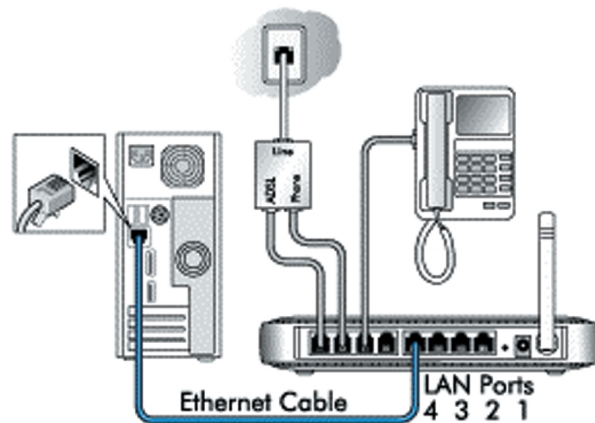
DG834GV Integrated Gateway is the power in your network. Six products in one, it combines an ADSL2+ Modem, Router, 10/100 Wired LAN Switch, 802.11g Wireless Access Point, Voice-over-IP (VoIP), and SPI Double Firewall. Plug in your ADSL line and soon you can share your broadband connection to the Internet with all of your networked computers both wirelessly and wired. Featuring high-speed 802.11g wireless capability – up to five times faster than 802.11b – it allows you to download large files, videoconference, and distribute and play high-quality digital movies, photos, and MP3s in the blink of an eye. An integrated switch lets you directly connect four computers or any combination of four computers, access points, or printers. Setup couldn't be easier – NETGEAR's Smart Wizard install assistant and on-screen help guide you through each step. Firewall protects your network with business-class security against intruders, including logs and alerts of break-in attempts, while VPN pass-through allows safe connections to your business network from home or office. Ideal for VoIP, DG834GV turns your broadband line into a phone to save money on your calls. The addition of an advanced featured PSTN/FXO port extends beyond VoIP to connect to your regular phone line to give added safety and convenience of automatic emergency call routing, backup to PSTN during power failure, and one phone for both VoIP and PSTN to name a few features. Designed to standards-based specifications and with flexibility in architecture to be able to add future advanced features such as TR-069 Remote Management and IGMP Multimedia Support, DG834GV meets the needs of today and tomorrow.

"All-In-One" Device ● Six products in one, DG834GV reduces the clutter of multiple networking devices and the jumble of wires. The integration of devices reduces difficulty in setting up and getting different devices to work together and simplifies control and management of your network environment. Simple, neat, and attractive, you will be proud to showcase the DG834GV as the centerpiece in your network.

Advanced Featured ● DG834GV offers many of the advanced features much beloved in the world-class NETGEAR DG834G Wireless ADSL Firewall Router. The addition of VoIP and PSTN/FXO ports extends NETGEAR's market leadership in DSL gateways to offer customers an "All-In-One" device in the "DG" family. Future-proofed architecture allows for the addition of new advanced features such as TR-069 Remote Management and IGMP Multimedia Support.

Secure and Private ● Double firewall (NAT + SPI) secures your network and protects against malicious attacks. Network Address Translation (NAT) shields your networked devices from intruders, and Stateful Packet Inspection (SPI) and Denial of Service (DoS) attack prevention averts potential threats by scanning incoming traffic. Your wireless connections are secure with powerful WEP and WPA encryption, so your information is concealed from eavesdroppers. MAC Address Control prevents unauthorized access to your wireless network, and VPN pass-through ensures secure Internet access for your office or corporate network.

Simple and Convenient ● Smart Wizard simplifies setup — it automatically detects and configures your router for virtually all ISP connections. Then, easy-to-follow prompts guide you through each step of your installation. Making calls is easy too. Just plug in a regular phone, sign up for VoIP phone service, and start calling. There is no additional equipment to buy. It's that easy!



Product Specifications

Routing and Provisioning Protocols:

- Static & Dynamic Routing with TCP/IP, VPN pass-through (IPSec, L2TP, PPTP), NAT, UDP, RIP, PPPoE, PPPoA, Classic IP, DNS, DHCP (client & server), NTP, STUN, TFTP, HTTP, HTTPS

Application Support:

- Works with most Internet games and instant messaging applications, and applications that support UPnP for automatic Internet access

Physical Interface:

- **Internet/WAN:** 1-port, ADSL RJ-11
- **LAN:** 4 ports, 10/100 Mbps (auto-sensing) Ethernet, RJ-45
- **Phone:** 2 jacks, RJ-11
- **PSTN/FXO:** 1 jack, RJ-11
- **Wireless:** Network Speeds: 1, 2, 5.5, 6, 9, 11, 12, 18, 24, 36, 48, & 54 Mbps (auto-rate capable)
- **Modulation Type:** OFDM with BPSK, QPSK, 16QAM, 64QAM, DBPSK, DQPSK, CCK

- **Frequency:**
2.412 - 2.462 GHz (US)
2.412 - 2.484 GHz (Japan)
2.412 - 2.472 GHz (Europe ETSI)
2.457 - 2.462 GHz (Spain)
2.457 - 2.472 GHz (France)
- **Antenna:** 2 dBi
- **Standards Capability:** 802.11g

Security Features:

- **Firewall:** Stateful Packet Inspection (SPI), DoS Attack Detection/Logging, Dropped Packet Log, Security Event Log, E-mail Log, Syslog
- **Encryption:** 40-bit (also called 64-bit), 128-bit, and 152-bit (802.11g only) WEP encryption, WPA (Wi-Fi Protected Access), WPA-PSK
- **VPN Functionality:** NAT traversal (VPN pass-through) for IPSec, PPTP, and L2TP VPN's

Management Features:

- **Administrative Interface:** Stateful Packet Inspection (SPI), DoS Attack Detection/Logging, Dropped Packet Log, Security Event Log, E-mail Log, Syslog

Standards Support:

- ITU 992.1 (G.dmt) Annex A, B
- ITU 992.2 (G.lite)
- ITU 992.3 ADSL2 (G.dmt.bis)
- ITU 992.5 ADSL2+
- ANSI T1.413 Issue 2
- Dying gasp – DSLAM notification on power loss
- IEEE 802.1d, 802.3, 802.3u – Ethernet

RFC Support:

- IPSec tunnel mode (pass through mode), IP v.4 (RFC 2401)
- DHCP server (RFC 2131)
- DHCP client (RFC 2131)
- NAT (many-to-one) (RFC 1631)
- IP Control Protocol (RFC 1332)
- Bridged Ethernet Encapsulation (RFC 1483, 2684)
- PPP over Ethernet (PPPoE) (RFC 2516)
- PPP over ATM (PPPoA) (RFC 2364)
- Classical IP over ATM (RFC 1577)

Maintenance:

- Save/Restore Configuration, Diagnostics, Upgrades via Web Browser, Logging

Voice and Fax Protocols and Codecs:

- Session Initiating Protocol - SIP v2
- G.711 u/A-law
- G.726 16/24/32/40-kbps
- G.729 A/B Voice Codecs
- G.711 PCM Fax By-Pass
- T.38 Fax Relay Protocols

Power Adapter:

- 15 VDC, 1.2A; plug is localized to country of sale

Environmental Specifications:

- Operating Temperature: 32 to 104° F (0 to 40° C)
- Storage Temperature: -4 to 158° F (-20 to 70° C)
- Operating Relative Humidity: 90% noncondensing

Physical Specifications:

- **Dimensions:** 8.8 x 6.0 x 1.2 in (223 x 153 x 31 mm)
- **Weight:** 1.06 lb (0.5 kg)

Warranty:

- NETGEAR 2-year warranty (see information enclosed)

System Requirements

- ADSL Internet service
- 2.4 GHz wireless adapter or Ethernet adapter and cable for each computer
- VoIP service for Internet telephony
- Regular analog touchtone telephone
- CD-ROM drive
- Windows® 95, 98, Me, NT, 2000, XP and other operating systems running a TCP/IP network
- Internet Explorer 6.0 or Netscape® 4.7 or higher

Package Contents

- Integrated ADSL2+ Modem and Wireless Router with Voice DG834GV
- Resource CD
- Power adapter
- Ethernet cable
- Phone cable
- ADSL phone line filter (most countries)
- Installation guide
- Warranty/Support information card

NETGEAR Related Products

- WG511 54 Mbps Wireless PC Card
- WG311 54 Mbps Wireless PCI Adapter
- WG111 54 Mbps Wireless USB 2.0 Adapter
- WGE101 54 Mbps Wireless Ethernet Bridge
- WG602 54 Mbps Wireless Access Point
- WGE111 54 Mbps Wireless Game Adapter

NETGEAR®

4500 Great America Parkway
Santa Clara, CA 95054 USA
Phone: 1-888-NETGEAR
E-mail: info@NETGEAR.com
www.NETGEAR.com

©2006 NETGEAR, Inc. NETGEAR, the NETGEAR logo, Connect with Innovation, Everybody's connecting, the Gear Guy logo, IntelliFi, ProSafe, RangeMax and Smart Wizard are trademarks or registered trademarks of NETGEAR, Inc. in the United States and/or other countries. Microsoft and Windows are trademarks or registered trademarks of Microsoft Corporation in the United States and/or other countries. Other brand and product names are trademarks or registered trademarks of their respective holders. Information is subject to change without notice. All rights reserved.

* Free basic installation support provided for 90 days from date of purchase. Advanced product features and configurations are not included in free basic installation support; optional premium support available.